

PARTS CATALOG OF STYLE D



CUSTOMIZATION | INNOVATION | SPECIALIZATION

TABLE OF CONTENTS

BODY TRIM 2

STEERING SYSTEM 3

STEERING GEAR ASSEMBLY 4

FRONT SUSPENSION ASSEMBLY 5

REAR SUSPENSION ASSEMBLY - LIFTED CART 6

REAR SUSPENSION ASSEMBLY - LOWERED CART 7

REAR AXLE ASSEMBLY - LIFTED CART 8

REAR AXLE ASSEMBLY - LOWERED CART 9

TIRE ASSEMBLY 10

BRAKE SYSTEM 11

FRONT BODY COVER DASHBOARD ASSEMBLY 12

REAR BODY COVER ASSEMBLY 13

ROOF ASSEMBLY - 2 SEATS LOWERED CART & LIFTED CART 14

ROOF ASSEMBLY - 2+2 SEATS LOWERED CART & LIFTED CART 15

ROOF ASSEMBLY - 4+2 SEATS LOWERED CART & LIFTED CART 16

MIDDLE SEAT BUCKET, SEAT 17

BACKREST ASSEMBLY 18

REAR CUSHION ASSEMBLY 19

FLIP SEAT & BACKREST ASSEMBLY - 2+2, 4+2 SEATS LOWERED CART & LIFTED CART 20

REAR CLOTHING BASKET ASSEMBLY - 2 SEATS LOWERED CART & LIFTED CART 21

REAR PEDAL ASSEMBLY - 2+2, 4+2 SEATS LOWERED CART & LIFTED CART 22

AC ELECTRONIC CONTROL 23

LITHIUM ELECTRONIC CONTROL 24

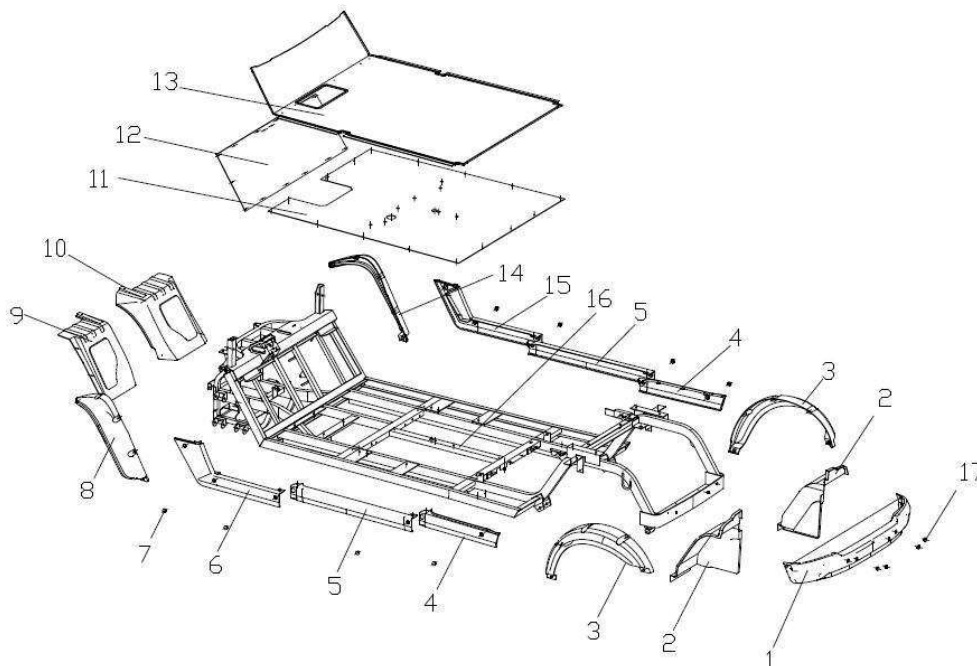
WIRING 25

LOWERED CART FRONT BUMPER 26

LIFTED CART FRONT BUMPER & BRUSH GUARD 27

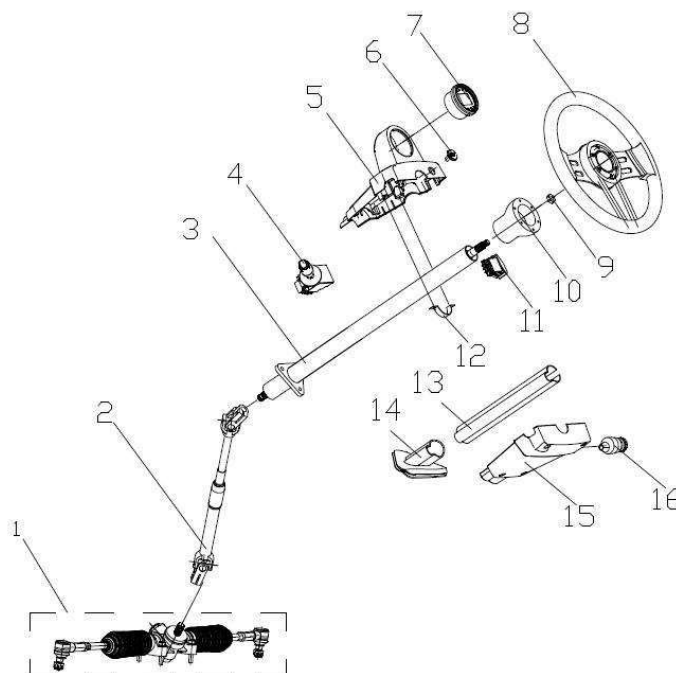
BODY TRIM

NO.	Part Number	Description	Pieces	MSRP
1	F0102045017	Rear Bumper	1	
2	F0102045013	Rear Wheel Cover - Left	1	
		Rear Wheel Cover - Right	1	
3	F0102045025	Rear Fender Flare (Bilateral Symmetry/Lifted Cart)	2	
	F0102063042	Rear Fender Flare - Left (Lowered Cart)	1	
	F0102063043	Rear Fender Flare - Right (Lowered Cart)	1	
4	F0102045010	Rear Side Guard Plate - Left	1	
		Rear Side Guard Plate - Right	1	
5	F0102045009	Extended Side Guard Plate - Left (4 Seats)	1	
		Extended Side Guard Plate - Right (4 Seats)	1	
6	F0102063016	Front Side Guard Plate - Left	1	
7	F0102045063	Side Guard Plate Plug Cover - 2 Seats	6	
		Side Guard Plate Plug Cover - 4 Seats	8	
8	F0102063019	Left Fender Flare (Lifted Cart)	1	
9	F0103020010	Left Front Fender/Style D Lifted Cart	1	
	F0103020008	Left Front Fender/Style D Lowered Cart	1	
10	F0103020011	Right Front Fender/Style D Lifted Cart	1	
	F0103020009	Right Front Fender/Style D Lowered Cart	1	
11	F0102045502	Infrabasal Plate (2, 2+2 Seats Lowered Cart & Lifted Cart)	1	
	F0102047509	Infrabasal Plate (4, 4+2 Seats Lowered Cart & Lifted Cart)	1	
12	F0102063502	Head Board	1	
13	\	2-Seats Style D Formed Floor Leather (Customization)	1	
	\	4-Seats Style D Formed Floor Leather (Customization)	1	
14	F0102063020	Right Fender Flare (Lifted Cart)	1	
15	F0102063017	Front Side Guard Plate - Right	1	
16	F0102063002	Chassis Frame Assembly (2, 2+2 Seats Lifted Cart)	1	
	F0102063001	Chassis Frame Assembly (2, 2+2 Seats Lowered Cart)	1	
	F0102064002	Chassis Frame Assembly (4+2 Seats Lifted Cart)	1	
	F0102064001	Chassis Frame Assembly (4+2 Seats Lowered Cart)	1	
17	F0102045062	Rear Protection Cover	4	



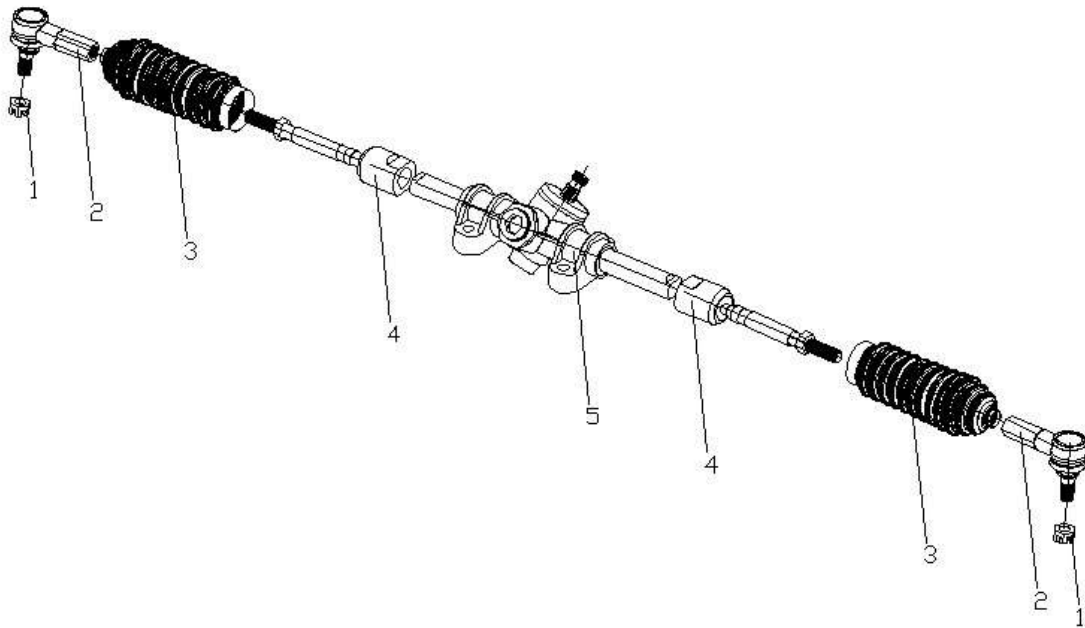
STEERING SYSTEM

NO.	Part Number	Description	Pieces	MSRP
1	F0204003026	Extended Steering Gear Assembly (Double Wishbone Lifted Cart)	1	
	F0204003025	Steering Gear Assembly (Double Wishbone Lowered Cart)		
2	F0204004038	Lower Steering Shaft - Extended (Double Wishbone Lifted Cart)	1	
	F0204004037	Lower Steering Shaft (Double Wishbone Lowered Cart)		
3	F0204002029	Steering Column	1	
4	F0309001102	Single Arm Blinker Switch	1	
5	F0102049014	Combination Switch Hood Front	1	
6	F0307003025	Mic - Waterproof (MIC)	1	
7	F0308031089	Digital Speedometer/CAN/British System HXYB-827/1249/Lifted Cart/Lead Acid Battery	1	
	F0308031088	Digital Speedometer/CAN/British System HXYB-827/1249/Lowered Cart/Lithium Battery		
	F0308031084	Digital Speedometer/CAN/British System HXYB-827/1249/Lifted Cart/Lead Acid Battery		
	F0308031081	Digital Speedometer/CAN/British System HXYB-827/1249/Lowered Cart/Lithium Battery		
8	F0204001011	Steering Wheel	1	
9	F211900035	Hexagon Flange Nut M16*2	1	
10	F0204001012	Steering Wheel Adapter	1	
11	F0309003009	F/R Switch	1	
12	F0203013008	Combination Switch Hoop	1	
13	F0102045042	Cover Of Steering Column	1	
14	\	Steering Column Sleeve	1	
15	F0102049015	Combination Switch Cover Back	1	
16	F0309002207	Key Switch	1	



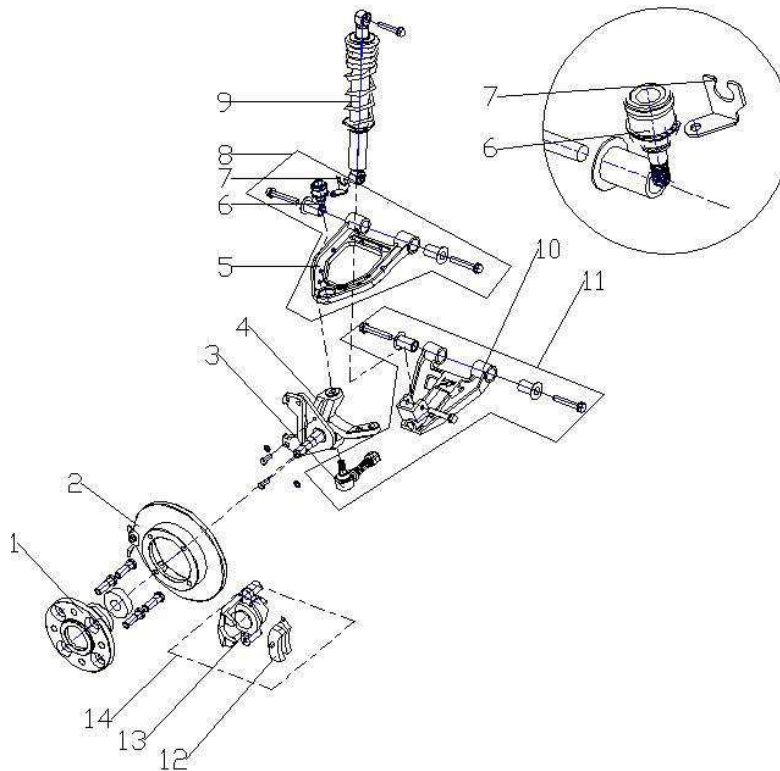
STEERING GEAR ASSEMBLY

NO.	Part Number	Description	Pieces	MSRP
1	F2101053004	Type 1 Slotted Hex Nut M12*1.25	2	
2	F0204003026.4	Ball Joint (Double Wishbone Lifted Cart)	2	
	F0204003025.4	Ball Joint (Double Wishbone Lowered Cart)		
3	F0204003026.2	Dust-Proof Rubber Boot (Double Wishbone Lifted Cart)	2	
	F0204003025.2	Dust-Proof Rubber Boot (Double Wishbone Lowered Cart)		
4	F0204003026.3	Inner Ball Joint (Double Wishbone Lifted Cart)	2	
	F0204003025.3	Inner Ball Joint (Double Wishbone Lowered Cart)		
5	F0204003026.1	Steering Gear Body (Double Wishbone Lifted Cart)	1	
	F0204003025.1	Steering Gear Body (Double Wishbone Lowered Cart)		



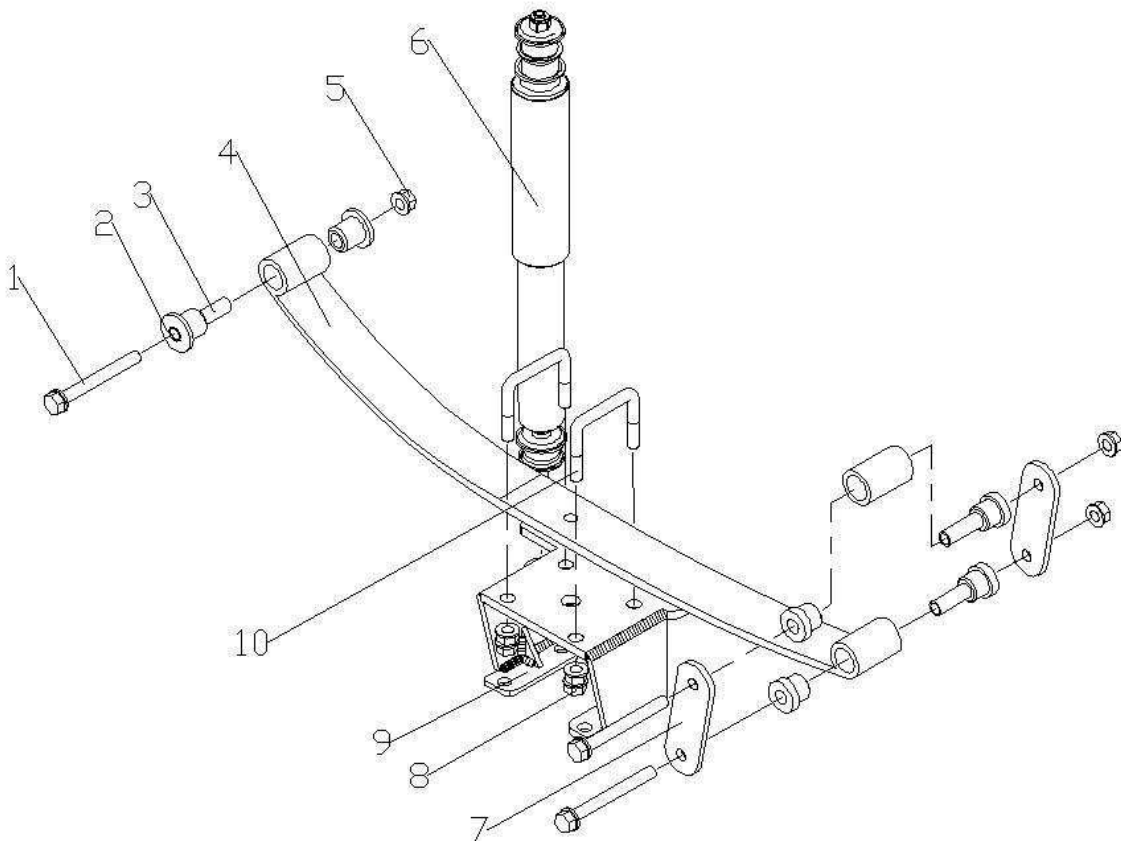
FRONT SUSPENSION ASSEMBLY

NO.	Part Number	Description	Pieces	MSRP
1	F0201002016.3	Front Hub	2	
2	F0201002016.1	Brake Disc	2	
3	F0201013007.2	Ball Joint	2	
4	F0201011012	Right Knuckle	2	
	F0201011011	Left Knuckle	1	
5	F0201013007.1	Upper Arm (Same on both sides)	2	
6	F0201013008.4	Ball Joint	2	
7	F0201013007.9	Oil Pipe Bracket - Right	1	
	F0201013007.5	Oil Pipe Bracket - Left	1	
8	F0201013007	Upper Arm Assembly (Same on both sides)	2	
9	F0202006037	Front Shock Absorber Assembly (Double Wishbone Lifted Cart)	2	
	F0202006036	Front Shock Absorber Assembly (Double Wishbone Lowered Cart)	2	
10	F0201013009.1	Right Lower Arm	1	
	F0201013008.1	Left Lower Arm	1	
11	F0201013008	Left Lower Arm Assembly	1	
	F0201013009	Right Lower Arm Assembly	1	
12	F0201002017.1	Brake Shoe	2	
13	F0201002017	Right Brake Caliper Assembly	1	
	F0201002016	Left Brake Caliper Assembly	1	
14	F0201002017.1	Right Brake Caliper	1	
	F0201002016.9	Left Brake Caliper	1	



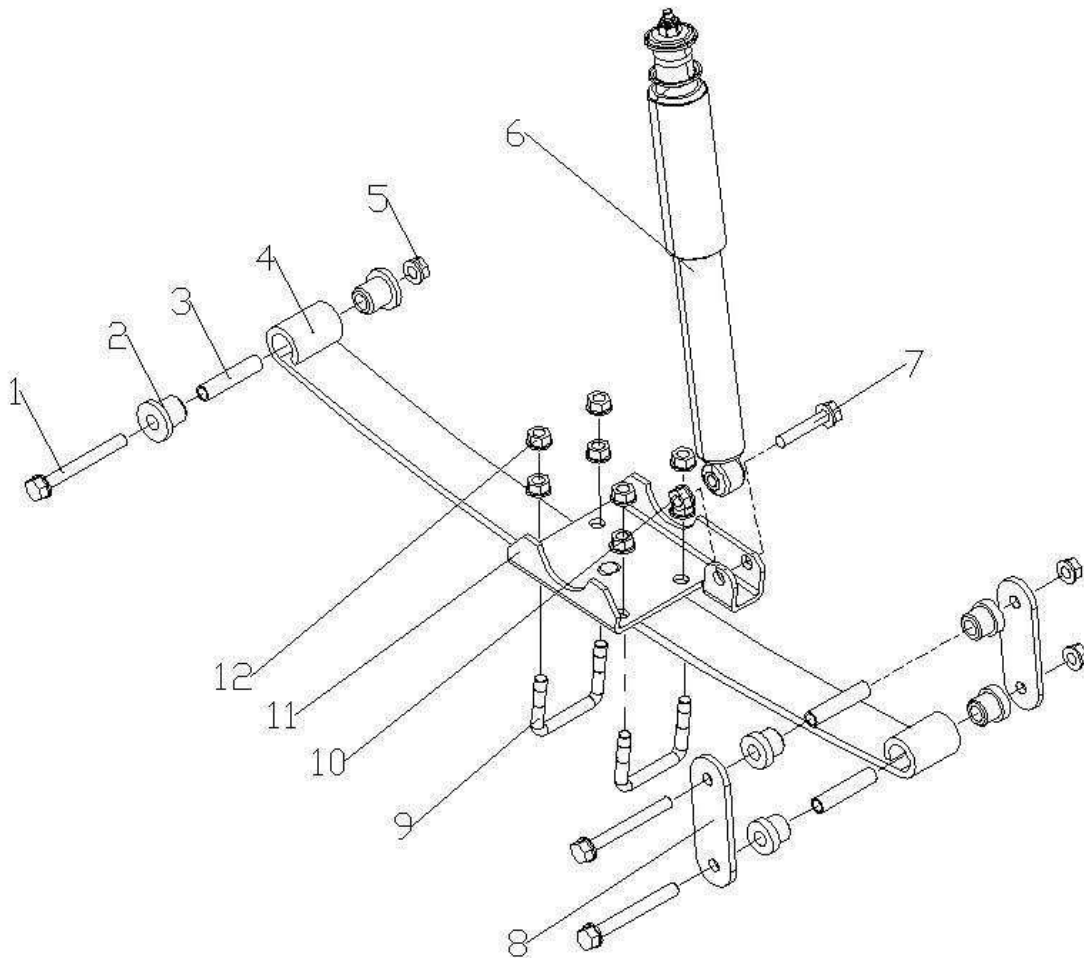
REAR SUSPENSION ASSEMBLY - LIFTED CART

NO.	Part Number	Description	Pieces	MSRP
1	Y0301010091	Hexagon Bolt M10×90	6	
2	F0202004017	Rubber Bushing	12	
3	F0202004018	Plate Spring Steel Bushing	6	
4	F0202002013	Rear Plate Spring (2 Seats EG2041B)	2	
	F0202002011	Rear Plate Spring (More than 2 Seats EG2061B)	2	
5	Y0301019069	Non-metallic Insert Hex Lock Nut M10	6	
6	F0202006035	Damper Assembly/Lifted Cart	2	
7	F0102045503	Lug Piece - Medium	4	
8	F2101051025	Hexagon Nut M10	16	
9	F0202005501	Left Plate Spring Seat	1	
		Right Plate Spring Seat	1	
10	F0202012021	U-Shaped Bolt M10	4	



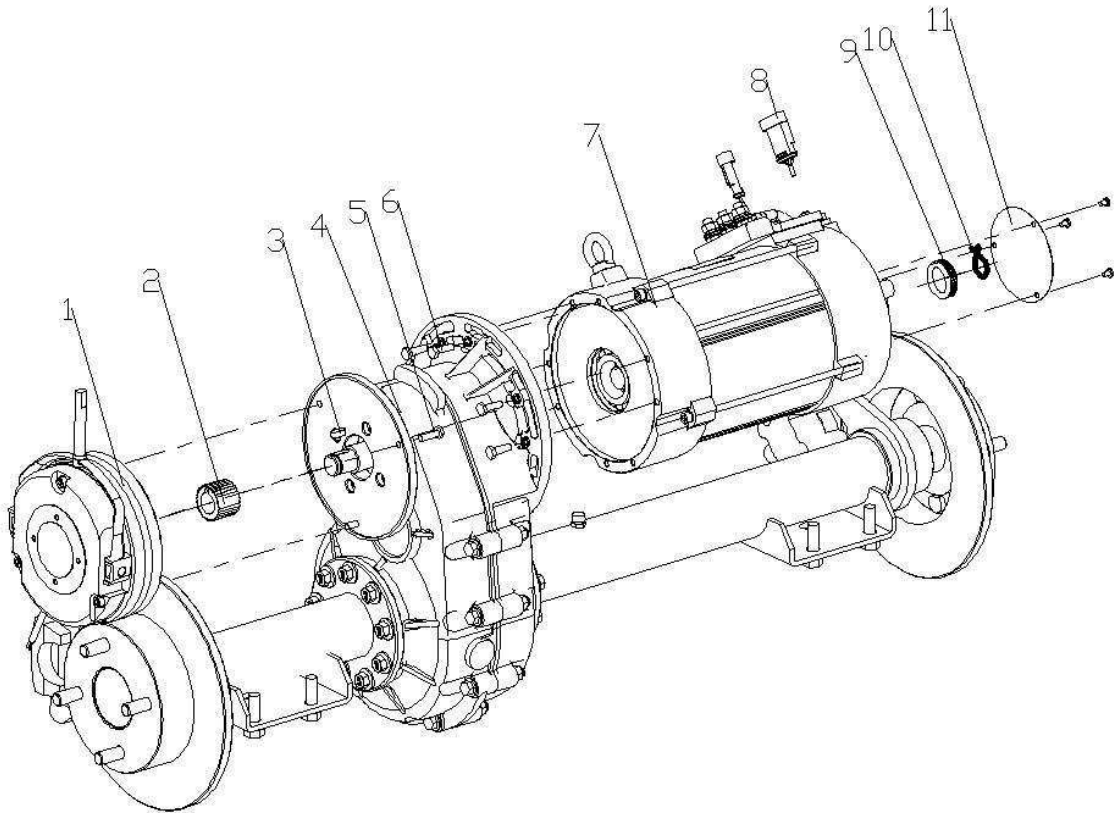
REAR SUSPENSION ASSEMBLY - LOWERED CART

NO.	Part Number	Description	Pieces	MSRP
1	Y0301010091	Hexagon Bolt M10×90	6	
2	F0202004017	Rubber Bushing	12	
3	F0202004018	Plate Spring Steel Bushing	6	
4	F0202002011	Rear Plate Spring (More than 2 Seats EG2061B)	2	
	F0202002013	Rear Plate Spring (2 Seats EG2041B)	2	
5	Y0301019069	Non-metallic Insert Hex Lock Nut M10	6	
6	F0202006034	Damper Assembly/Lowered Cart	2	
7	Y0301010038	Hexagon Bolt M10×50	2	
8	F0102045503	Lug Piece - Medium	4	
9	F0202012021	U-Shaped Bolt	4	
10	Y0301019069	Non-metallic Insert Hex Lock Nut M10	2	
11	N/A	Rear Axle Part		
12	F2101051025	Hexagon Nut M10	16	



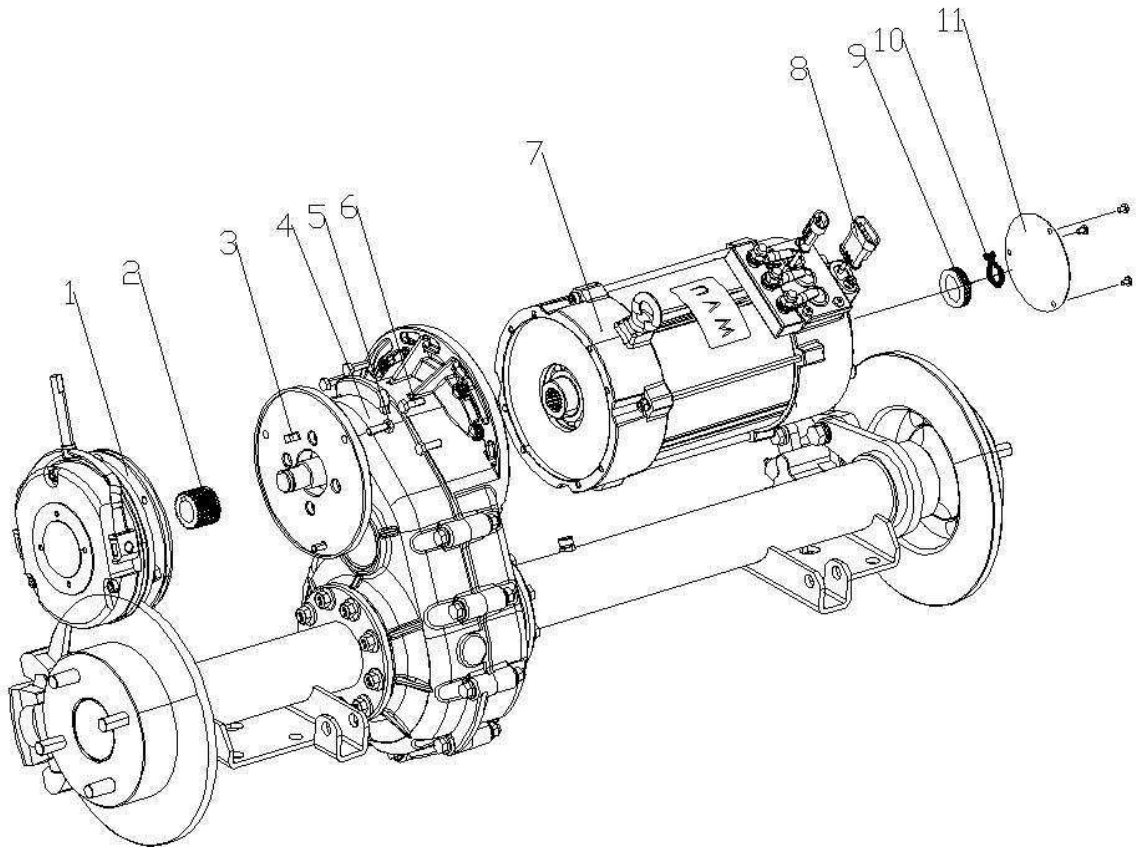
REAR AXLE ASSEMBLY - LIFTED CART

NO.	Part Number	Description	Pieces	MSRP
1	F0201004006	Electromagnetic Brake	1	
2	F0201004006.5	Gear Sleeve	1	
3	F0201004006.7	Flat Key	1	
4	F0201003086	Rear Axle Assembly/Lifted Cart	1	
5	F2101043017	Flange Bolt M6*16	2	
6	F2101043020	Flange Bolt M6*20	6	
7	F0302002067	AC Motor	1	
8	F0302002067.5	Sensor	1	
9	F0302002067.3	Impulse Wheel	1	
10	F0302002067.2	External Circlip	1	
11	F0302002067.1	End Cap	1	



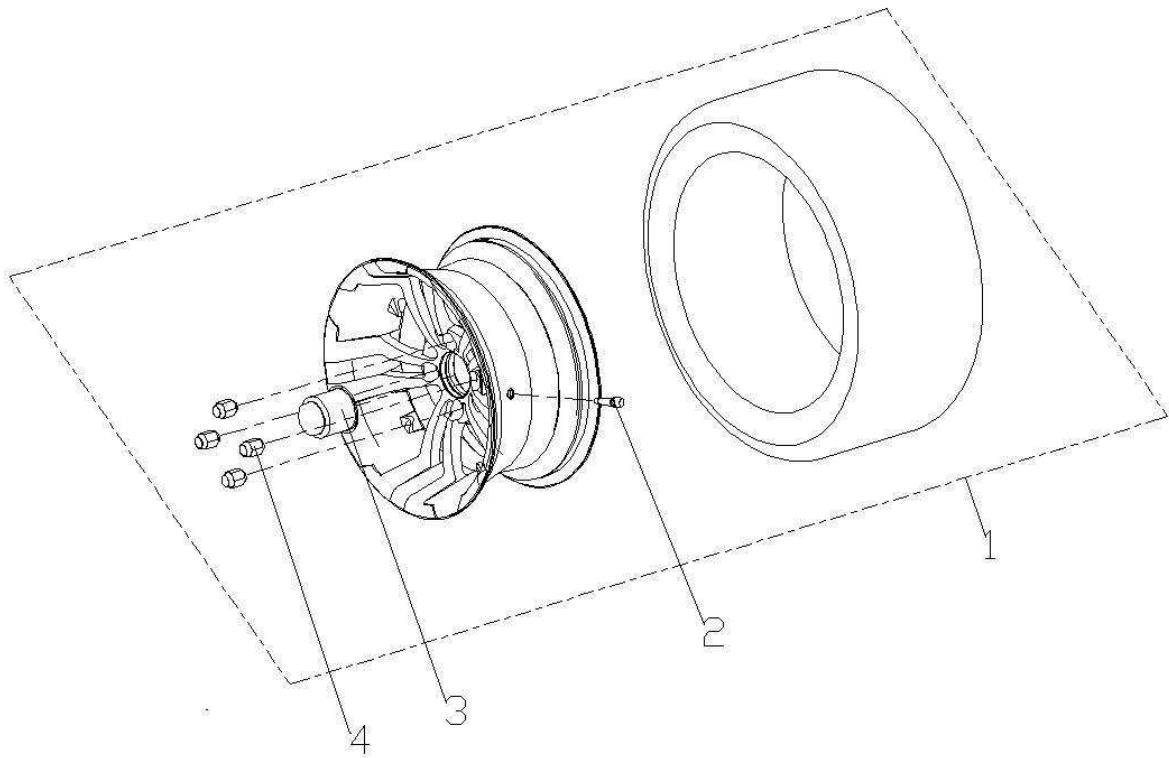
REAR AXLE ASSEMBLY - LOWERED CART

NO.	Part Number	Description	Pieces	MSRP
1	F0201004006	Electromagnetic Brake	1	
2	F0201004006.5	Gear Sleeve	1	
3	F0201004006.7	Flat Key	1	
4	F0201003087	Rear Axle Assembly/Lowered Cart	1	
5	F2101043017	Flange Bolt M6*16	2	
6	F2101043020	Flange Bolt M6*20	6	
7	F0302002067	AC Motor	1	
8	F0302002067.5	Sensor	1	
9	F0302002067.3	Impulse Wheel	1	
10	F0302002067.2	External Circlip	1	
11	F0302002067.1	End Cap	1	



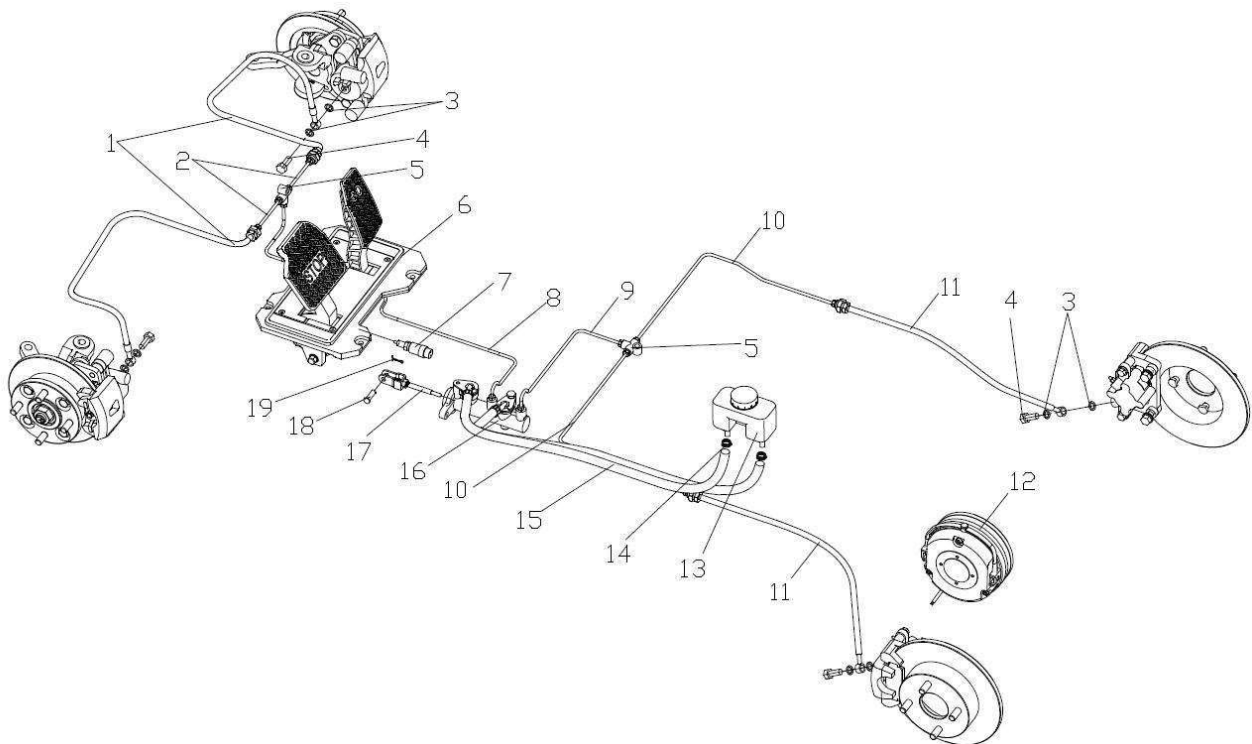
TIRE ASSEMBLY

NO.	Description	Pieces	MSRP
1	Tire Assembly/Lifted Cart	4 (Customization)	
	Tire		
	Aluminum Ring		
	Tire Assembly/Lowered Cart	4 (Customization)	
	Tire		
	Aluminum Ring		
2	Tire Valve	4	
3	Large Shaft End Cover	4	
4	Tire Nut M12	16	



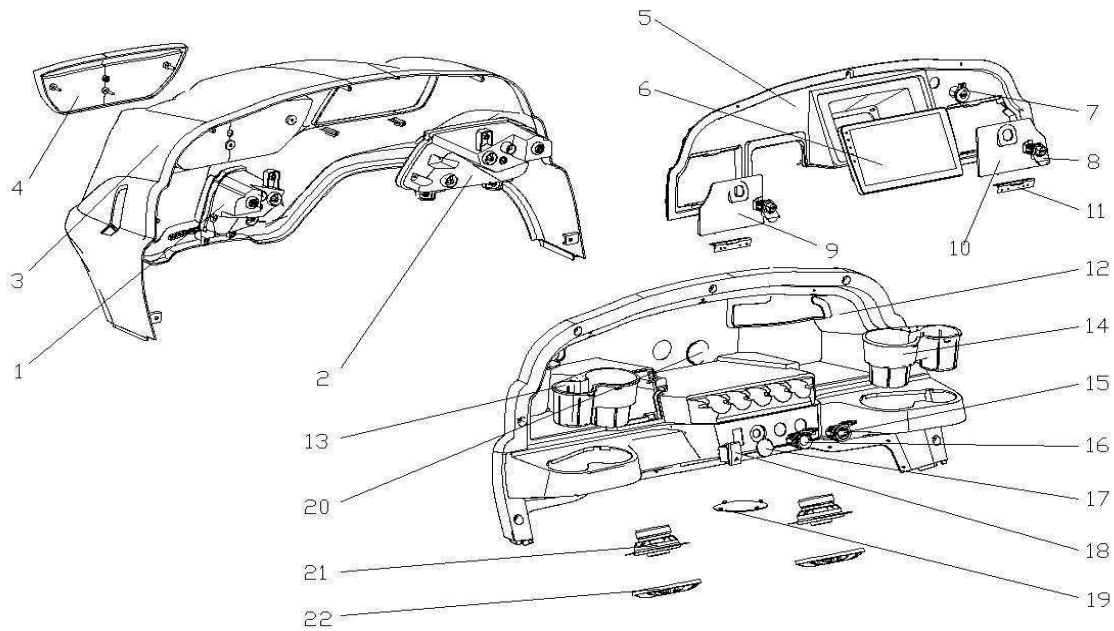
BRAKE SYSTEM

NO.	Part Number	Description	Pieces	MSRP
1	F0203007009	Brake Hose/L460	2	
2	F0203006026	Brake Oil Pipe L=200	2	
3	Y0211045	Combination Washer	8	
4	D1901013	Hollow Bolt	4	
5	D1901015	Brake Tee	2	
6	F0303002007	Pedal Assembly	1	
7	F0309005002	Brake Light Switch (With DJ7021-1.5-11Plug-in)	1	
8	D1408	Brake Oil Pipe L=800	1	
9	D1407	Brake Oil Pipe L=550 (2/2+2 Seats)	1	
	D1 411	Brake Oil Pipe L=1300 (4/4+2 Seats)	1	
10	L0100000342	Brake Oil Pipe L=500	2	
11	F0203007008	Brake Hose/L510	2	
12	F0201004006	Electromagnetic Brake (Equipped with Anjieli Disc Rear Axle)	1	
13	D2201005	Brake Oil Pot	1	
14	F0203003104.5	Steel Strip Elastic Hoop (Q673B12)	4	
15	N/A	Hose	2	
16	F0203003104	Brake Master Cylinder	1	
17	F0203003104.2	Brake Master Cylinder Putter	1	
18	F0203003104.3	Front Pin Of Brake Cable (Q5100825)	1	
19	F0203003104.1	Cotter Pin (Q5003220)	1	



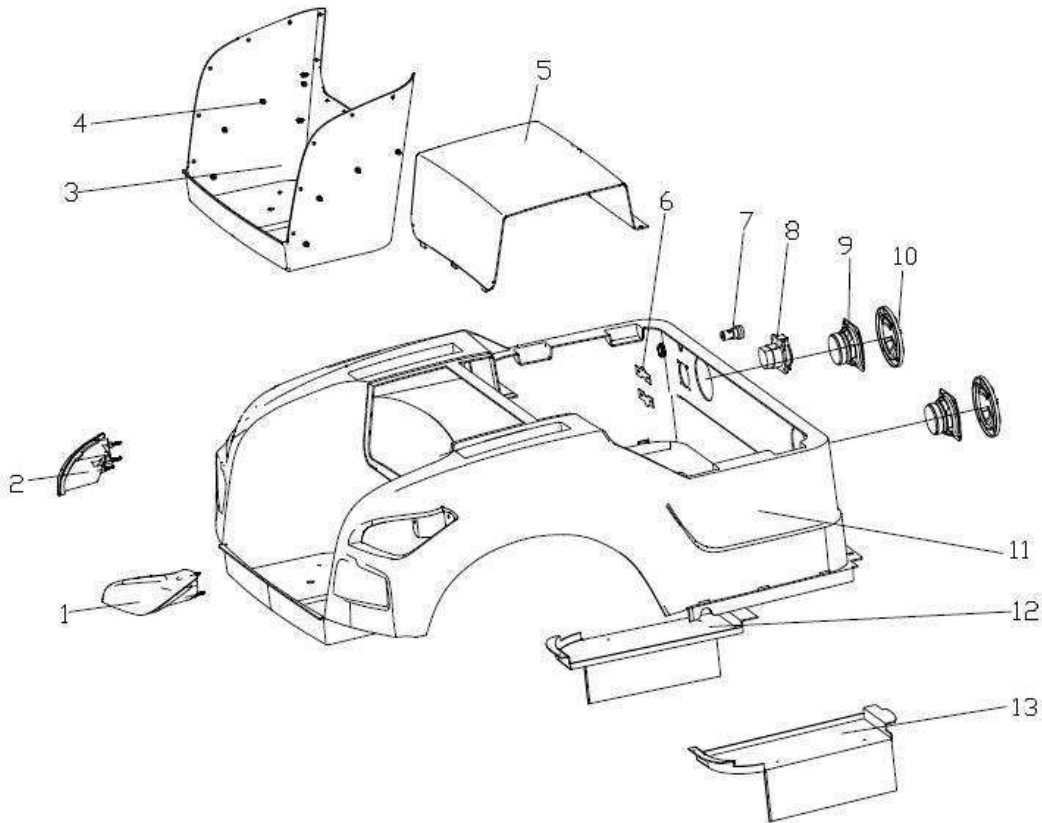
FRONT BODY COVER DASHBOARD ASSEMBLY

NO.	Part Number	Description	Pieces	MSRP
1	F0308001041	Left Front Headlight	1	
2	F0308001042	Right Front Headlight	1	
3	F0102063003	Front Cowl	1	
4	F0102063018	Grille	1	
5	F0102063806.1	Dashboard Cover	1	
6	F0307001029	Central Control Screen	1	
7	F0309013049	USB Charging Socket	1	
8	F0103003085	Glove Box Lock	2	
9	F0102063014	Glove Box Cover - Left	1	
10	F0102063015	Glove Box Cover - Right	1	
11	F0103024055	Hinge Of Glove Box	2	
12	F0102063006	Dashboard	1	
13	F0102063006	Left Cup Holder	1	
	F0102063804	Left Cup Holder/Carbon		
14	F0102063007	Right Cup Holder	1	
	F0102063805	Right Cup Holder/Carbon		
15	F0309013050	PD Quick Charge	1	
16	F0304017005	Cigarette Lighter Socket Female	1	
17	F0308034003	On-board Clock	1	
18	F0309015003	Hazard Warning Lamp Switch	1	
19	F0102049025	Horn Cover	1	
20	F0102063011	Dashboard Cable Hole Rubber Plug	1	
21	F0307003017	Speaker	2	
22	F0307004008	Speaker Cover	2	



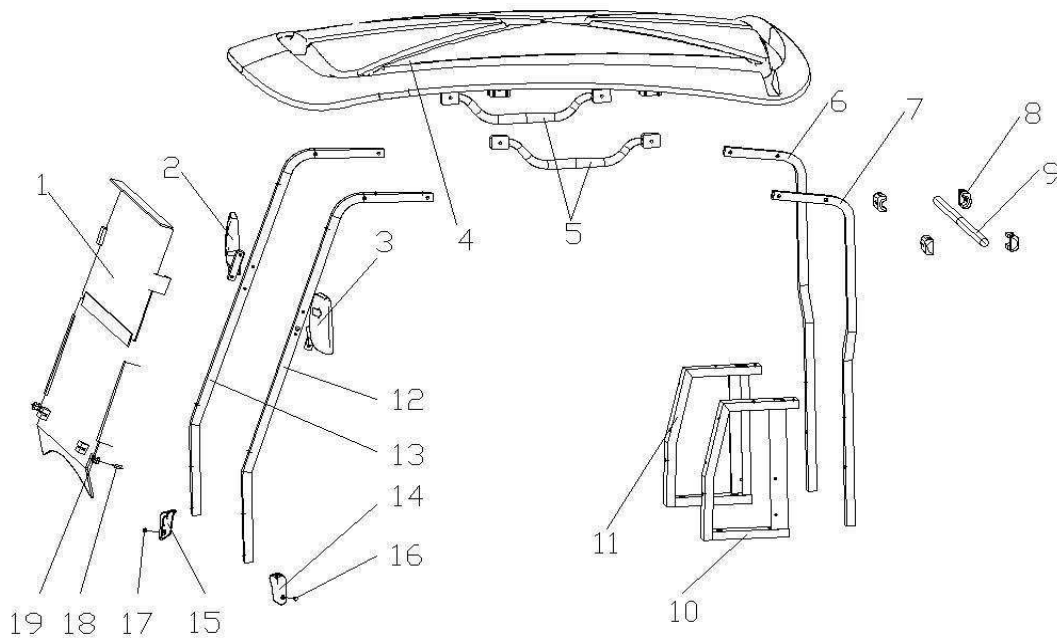
REAR BODY COVER ASSEMBLY

NO.	Part Number	Description	Pieces	MSRP
1	F0102045021	Right Rear Taillight	1	
2	F0102045020	Left Rear Taillight	1	
3	F0102045012	Caddie Protection Pad	1	
4	F0103064016	Snap Fastener	19	
5	F0102045011	Electronic Control Access Cover	1	
6	F0301011063.2	Charging Head Fixing Bracket	2	
7	F0301011063.1	Charging Indicator Light	1	
8	F0301014026	Charging Socket/0.8 Meters	1	
9	F0307003026	Speaker	2	
10	F0307004009	Speaker Cover	2	
11	F0102045528	Rear Cover Paint Part	1	
	F0102045538	Rear Cover Metal Paint Part		
	F0102045539	Rear Cover Matte Paint Part		
	F0102045540	Rear Cover Chameleon Paint Part		
	F0102045541	Rear Cover Frosted Paint Part		
12	F0102063028	Rear Hood Water Deflector - Left	1	
13	F0102063029	Rear Hood Water Deflector - Right	1	



ROOF ASSEMBLY - 2 SEATS LOWERED CART & LIFTED CART

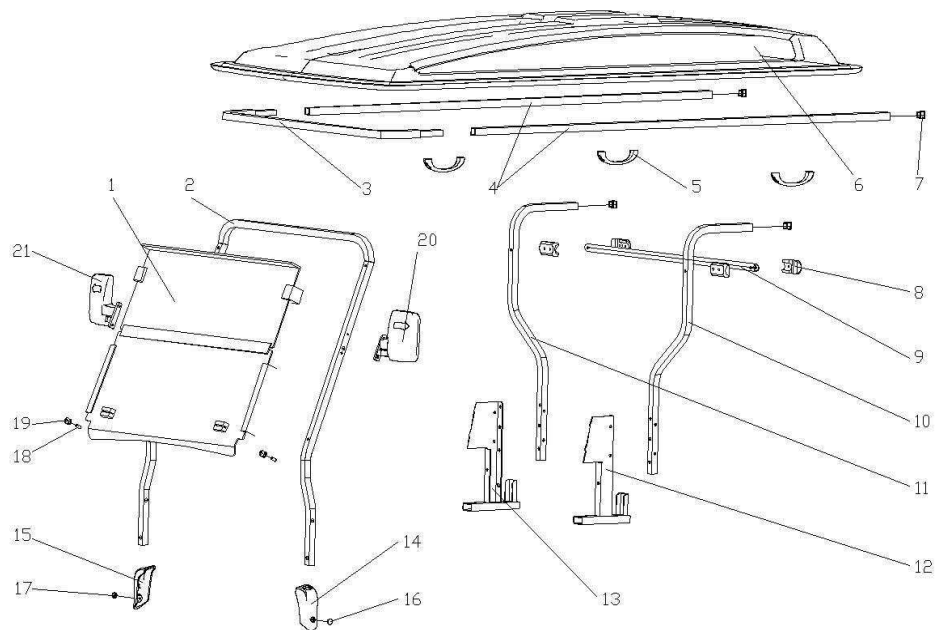
NO.	Part Number	Description	Pieces	MSRP
1	F0103009012	Front Windshield/DOT	1	
	F0103009013	Front Windshield/Tawny/DOT		
2	F0103017038	Right Rear View Mirror	1	
3	F0103017037	Left Rear View Mirror	1	
4	F0102045015	Roof	1	Natural Colour
	F0102045529			Painted Part
	F0102045542			Metal Paint Part
	F0102045543			Matte Paint Part
	F0102045544			Chameleon Paint Part
	F0102045545			Frosted Paint Part
5	F0102045023	Roof Handle	2	
6	F0102045505	Rear Strut Of Roof (Right)	1	
7		Rear Strut Of Roof (Left)	1	
8	F0102045064	Caddie Handle Fixing Bracket	4	
9	F0102045507	Caddie Handle	1	
10	F0102045506	Rear Back Bracket (Left)	1	
11		Rear Back Bracket (Right)	1	
12	F0102063503	Front Strut Of Roof (Left)	1	
13	F0102063504	Front Strut Of Roof (Right)	1	
14	F0102063031	Roof Front Strut Sheath Left	1	
15	F0102063032	Roof Front Strut Sheath Right	1	
16	F0102063033	Left Sheath - Blanking Cap	1	
17	F0102063034	Right Sheath - Blanking Cap	1	
18	F0103009012.1	Rubber Plug Lining	2	
19		Rubber Plug	2	



ROOF ASSEMBLY - 2+2 SEATS LOWERED CART & LIFTED CART

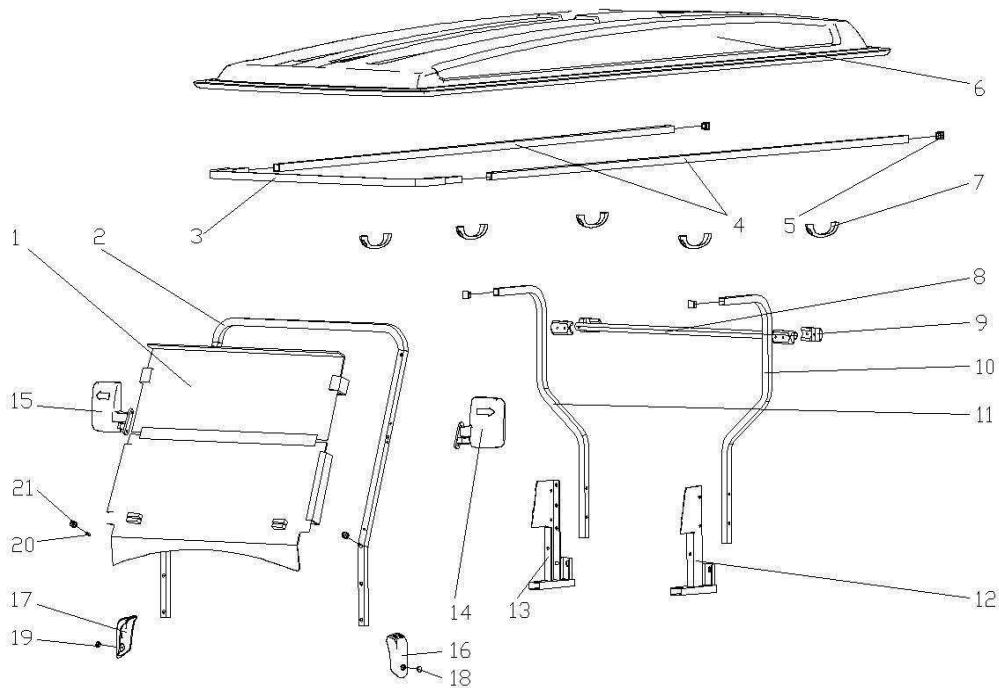
NO.	Part Number	Description	Pieces	MSRP
1	F0103009014	Front Windshield/DOT	1	
	F0103009015	Front Windshield/Tawny/DOT		
2	F0102064502	Front Strut Of Roof	1	
3	F0102045508	U-frame-1	1	
4		U-frame-1	2	
5	F0102047007	Roof Handle	3	
6	F0102047507	Injection Molded Roof	1	
7	F0102040033	Square Tube Rubber Blanking Cap	4	
8	F0102045064	Caddie Handle Fixing Bracket	4	
9	F0102045510	Caddie Handle	1	
10	F0102045509	Rear Strut Of Roof (Left)	1	
11		Rear Strut Of Roof (Right)	1	
12	F0102045109	Front Backrest Bracket (Left)	1	
13	F0102045110	Front Backrest Bracket (Right)	1	
14	F0102063031	Roof Front Strut Sheath Left	1	
15	F0102063032	Roof Front Strut Sheath Left	1	
16	F0102063033	Left Sheath - Blanking Cap	1	
17	F0102063034	Right Sheath - Blanking Cap	1	
18	F0103009014.1	Rubber Plug Lining	2	
19		Rubber Plug	2	
20	F0103017037	Left Rear View Mirror	1	
21	F0103017038	Right Rear View Mirror	1	

- Roof Cover Cushion
F0199003069
 - Hexagon Bolt M8*70
Y0301014028
 - Spring Washer 8 Y0301021005
 - Large Flat Washer Y0301020008
 - Rubber Gasket
F0103035070
 - Non-metallic Insert Hex
Lock Cap Nut 8
F2101059005
- Roof and Front Strut Fixed Components



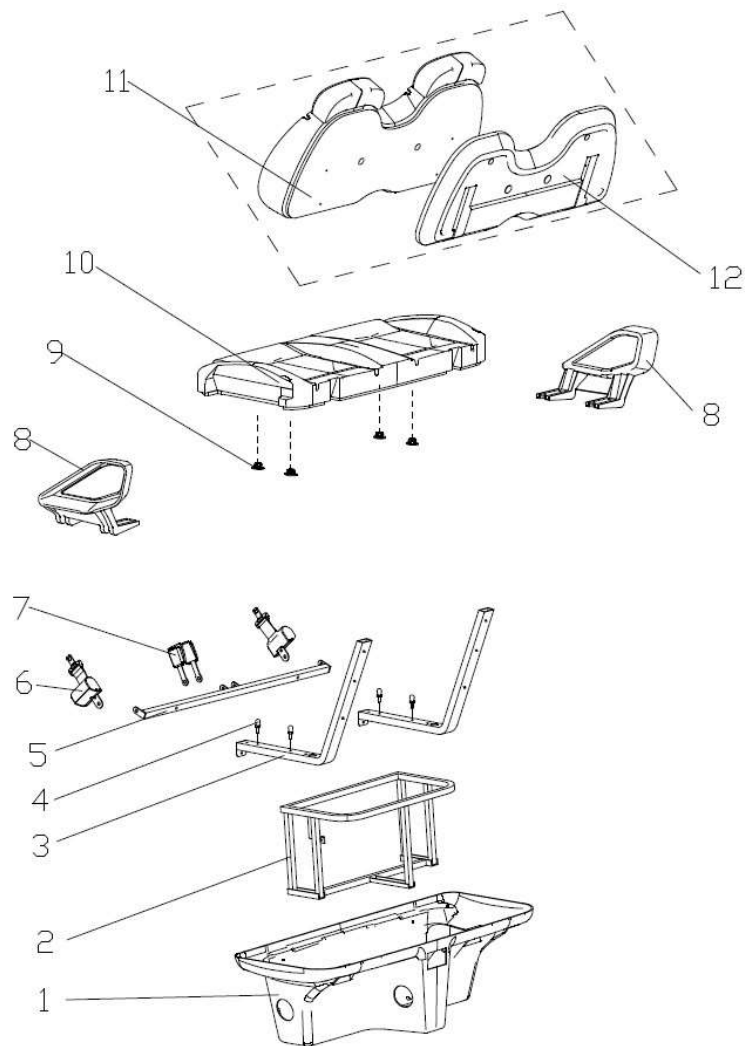
ROOF ASSEMBLY - 4+2 SEATS LOWERED CART & LIFTED CART

NO.	Part Number	Description	Pieces	MSRP
1	F0103009014	Front Windshield/DOT	1	
	F0103009015	Front Windshield/Tawny/DOT		
2	F0102064004	Front Strut Of Roof	1	
3	F0102047038	U-frame-1	1	
4		U-frame-2	2	
5	F0102040033	Square Tube Rubber Blanking Cap	4	
6	F0102048003	Injection Molded Roof	1	
7	F0102047007	Roof Handle	5	
8	F0102047023	Caddie Handle	1	
9	F0102045064	Caddie Handle Fixing Bracket	4	
10	F0102047039	Rear Strut Of Roof (Left)	1	
11		Rear Strut Of Roof (Right)	1	
12	F0102045109	Front Backrest Bracket (Left)	1	
13	F0102045110	Front Backrest Bracket (Right)	1	
14	F0103017037	Left Rear View Mirror	1	
15	F0103017038	Right Rear View Mirror	1	
16	F0102063021	Roof Front Strut Sheath Left	1	
17	F0102063022	Roof Front Strut Sheath Right	1	
18	F0102063033	Left Sheath - Blanking Cap	1	
19	F0102063034	Right Sheath - Blanking Cap	1	
20	F0103009014.1	Rubber Plug Lining	2	
21		Rubber Plug	2	



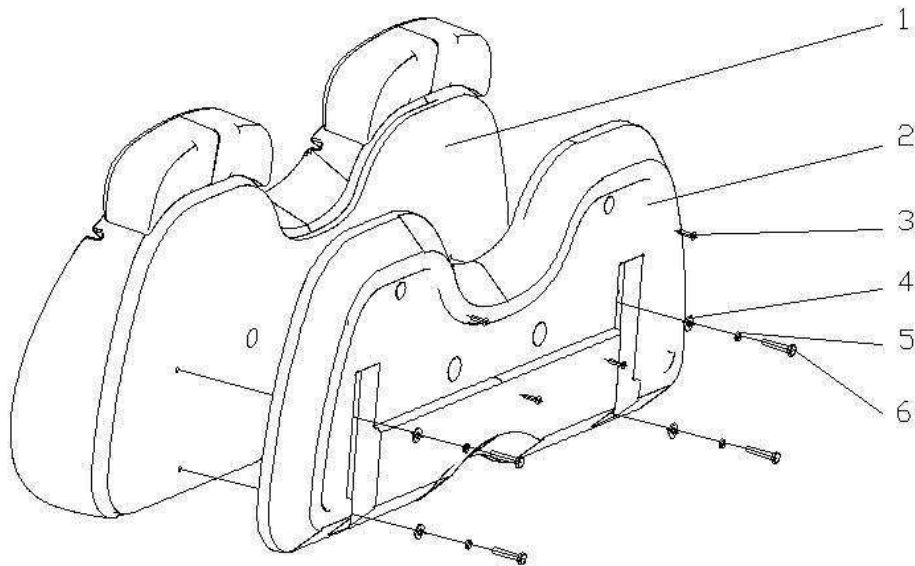
MIDDLE SEAT BUCKET, SEAT

NO.	Part Number	Description	Pieces	MSRP
1	F0102045530	Four Seats Middle Seat Bucket	1	
2	F0102064501	Middle Seat Frame	1	
3	F0102047510	Four Seats Middle Seat Backrest Bracket	2	
4	F0103015006.1	Ball Joint	4	
5	F0102047504	Front Seat Belt Bracket	1	
6	F0103013009	Two-Point Seat Belt	2	
7	F0103013009.1	Seat Belt Buckle	2	
8	F0102045014	Armrest Left	1	
		Armrest Right	1	
9	F0103015006	Seat Plastic Buckle	4	
10	F0103014263	Cushion	1	
11	F0103014260	Backrest (Leather and Sponge)	1	
12	F0102063027	Backrest Cover (PP)	1	



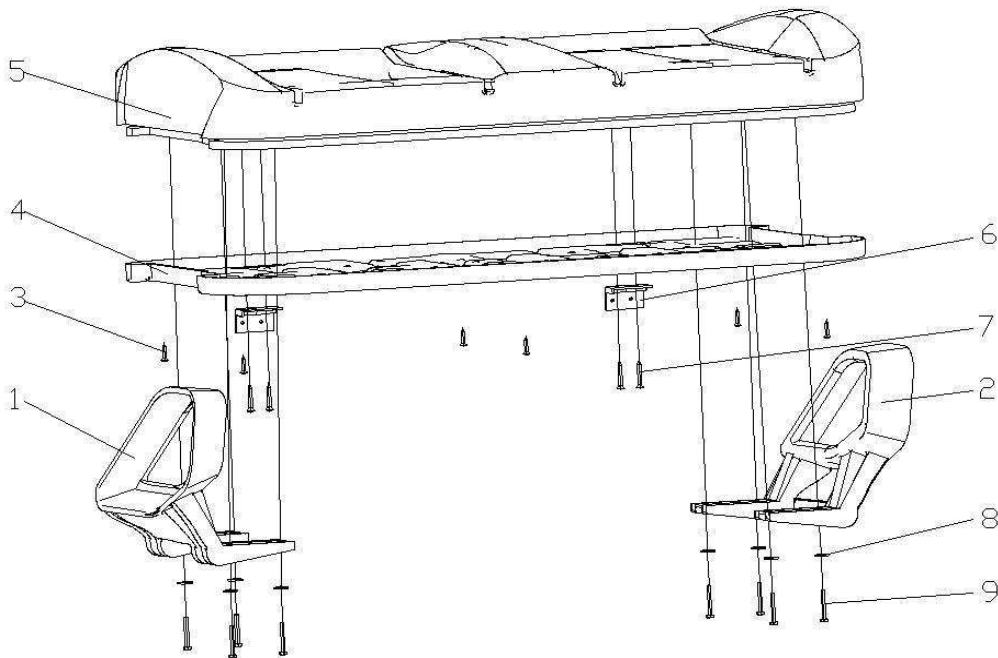
BACKREST ASSEMBLY

NO.	Part Number	Description	Pieces	MSRP
1	F0103014260	Backrest	1	
2	F0102063027	Backrest Cover	1	
3	Y0301005038	Cross Recessed Cheese Head Screw ST4.8×25	4	
4	Y0301020006	Large Flat Washer 6	4	
5	Y0301021004	Spring Washer 6	4	
6	Y0301014029	Hexagon Bolt M6×45	4	



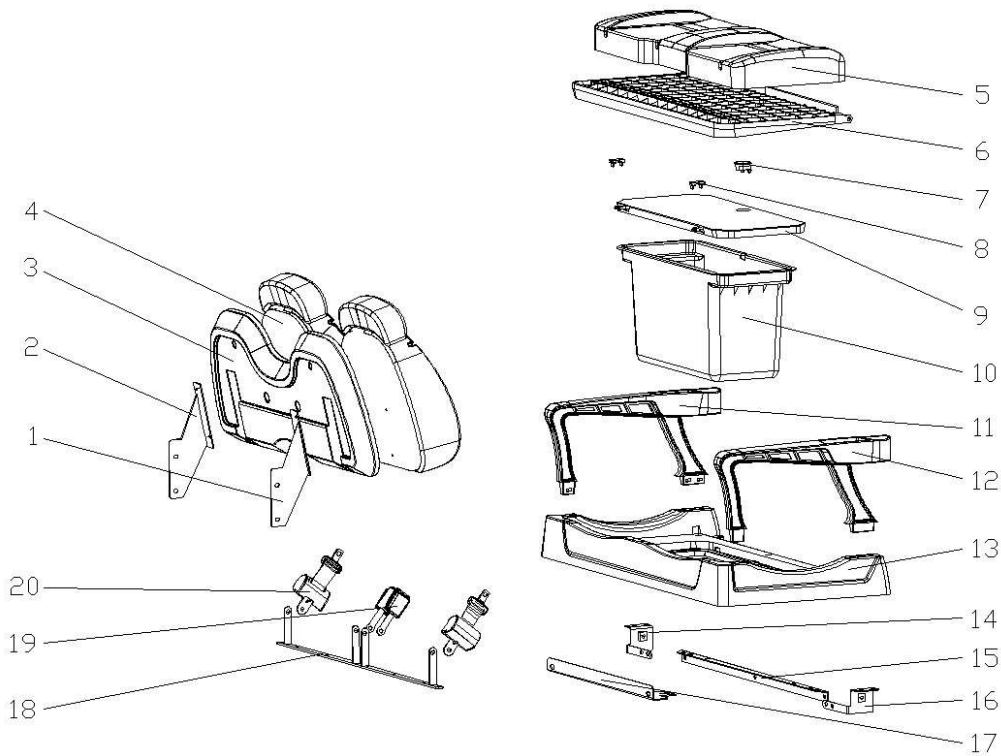
REAR CUSHION ASSEMBLY

NO.	Part Number	Description	Pieces	MSRP
1	F0102045014	Armrest Left	1	
2		Armrest Right	1	
3	F2101021015	Cross Recessed Pan Head Tapping Screw ST4.8×25	6	
4	F0102045006	Cushion Floor	1	
5	F0103014261	Cushion	1	
6	F0103015040	Cushion Hinge	2	
7	Y0301001029	Cross Flat Head Screw M6×30	4	
8	Y0301020006	Large Flat Washer 6	8	
9	F2101001010	Cross Recessed Pan Head Screw M6×45	8	



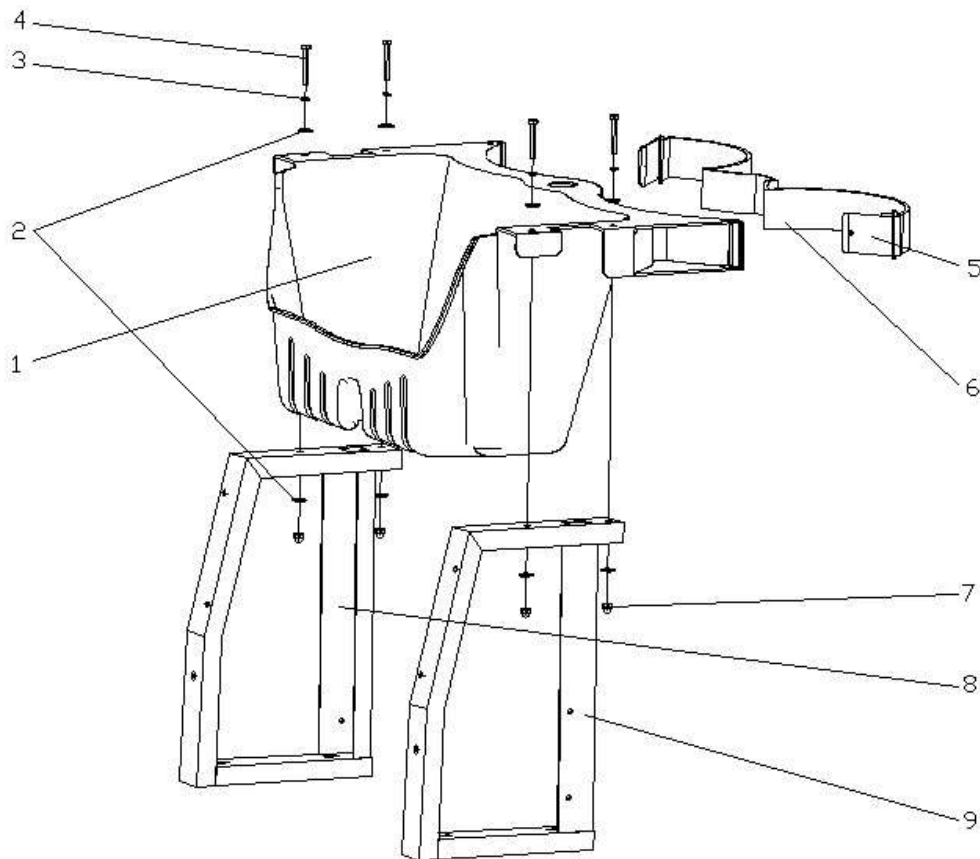
FLIP SEAT & BACKREST ASSEMBLY - 2+2, 4+2 SEATS LOWERED CART & LIFTED CART

NO.	Part Number	Description	Pieces	MSRP
1	F0102045511	Rear Back Bracket (Left)	1	
2	F0102045512	Rear Back Bracket (Right)	1	
3	F0102063027	Bracket Cover	1	
4	F0103014260	Bracket	1	
5	F0103014262	Flip Seat Cushion	1	
6	F0102045033.3	Flip Seat Cushion Floor	1	
7	F0103035089	Ice Bucket Rubber Plug	1	
8	F0102045033.4	Flip Seat Lock Catch	2	
9	F0102045033.5	Ice Bucket Cover Plate	1	
10	F0102045034	Ice Bucket Under Flip Seat	1	
11	F0102045033.2	Flip Seat Armrest Right	1	
12	F0102045033.1	Flip Seat Armrest Left	1	
13	F0102045033.6	Flip Seat Floor	1	
14	F0102045517	Rear Seat Frame Swivel Bracket (Right)	1	
15	F0102045515	Back Seat Frame Rear Beam Bracket	1	
16	F0102045516	Rear Seat Frame Swivel Bracket (Left)	1	
17	F0102045513	Rear Seat Frame Front Connection Bracket	1	
18	F0102045514	Rear Seat Frame Front Beam Bracket	1	
19	F0103013009.1	Seat Belt Buckle	2	
20	F0103013009	Two-Point Seat Belt	2	



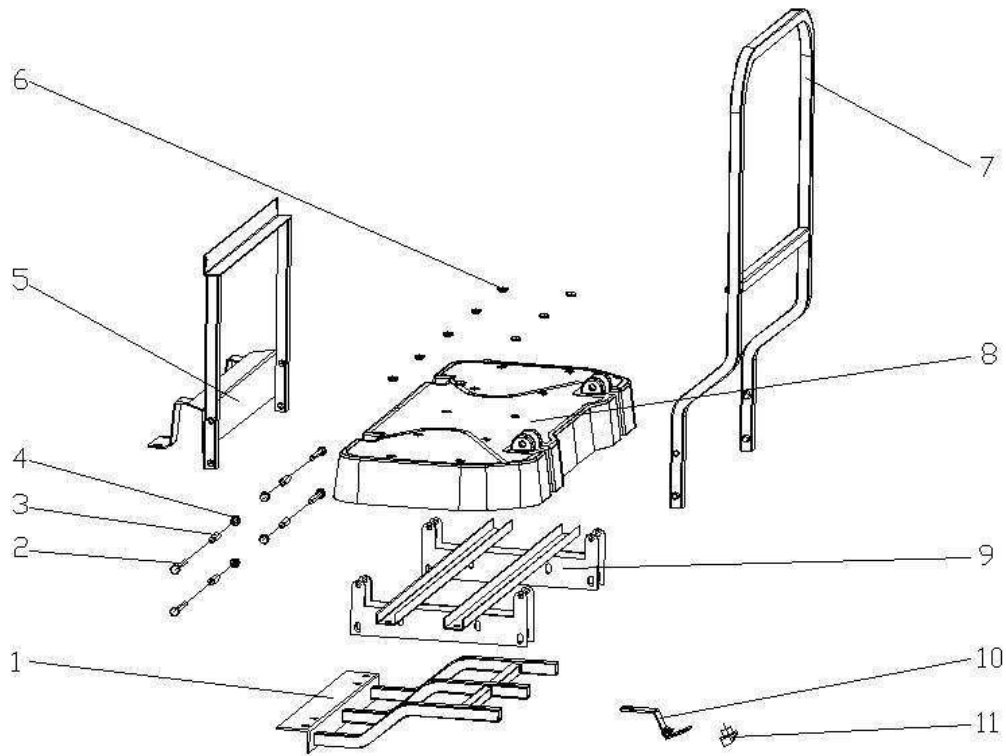
REAR CLOTHING BASKET ASSEMBLY - 2 SEATS LOWERED CART & LIFTED CART

NO.	Part Number	Description	Pieces	MSRP
1	F0102045007	Rear Clothing Basket	1	
2	Y0301020008	Large Flat Washer 8	8	
3	Y0301021005	Spring Washer 8	4	
4	Y0301010025	Hexagon Bolt M8×45	4	
5	F0102045029	Safety Buckle	2	
6	F0102045065	Golf Bag Strap	1	
7	Y0301019038	Cap Nut M8	4	
8	F0102045506	Backrest Bracket 2029 (Left)	1	
9		Backrest Bracket 2029 (Right)	1	



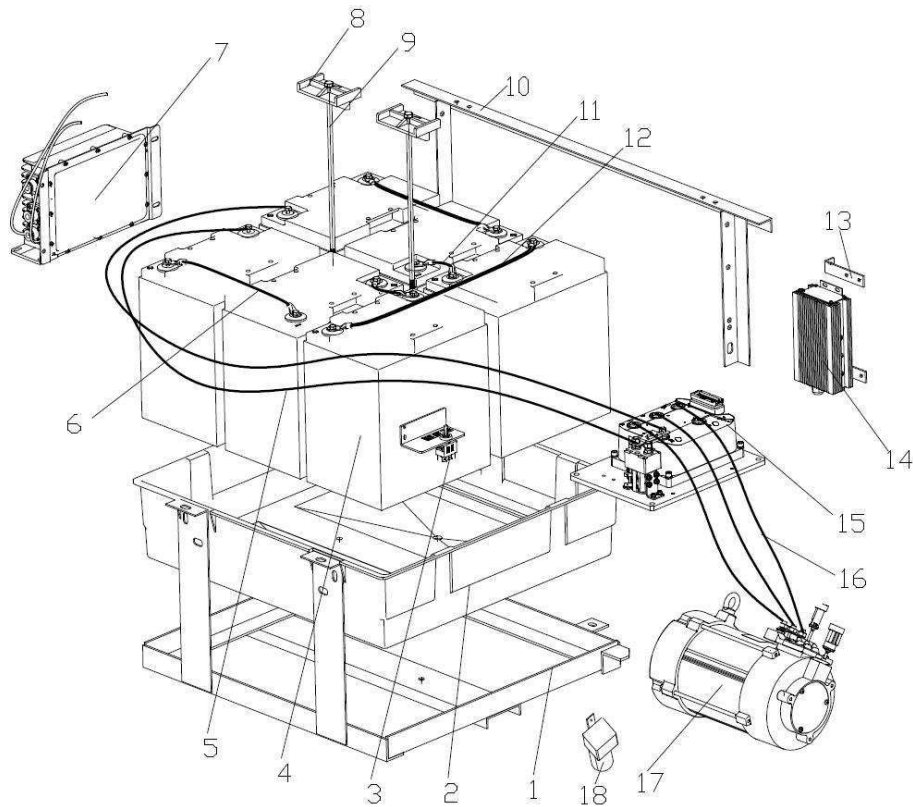
REAR PEDAL ASSEMBLY - 2+2, 4+2 SEATS LOWERED CART & LIFTED CART

NO.	Part Number	Description	Pieces	MSRP
1	F0102045520	Rear Pedal Bracket 2	1	
2	F2101161015	Hexagon Bolt M10×75	4	
3	F2101081019	Large Flat Washer 10	4	
4	Y0301019039	Cap Nut M10	4	
5	F0102045518	Rear Seat Frame Rear Connection Bracket	1	
6	F0102045033.8	Rear Station Board Plug Cover	10	
7	F0102047530	Rear Grab Bar/License Light	1	
8	F0102045033.7	Plastic Pedal	1	
9	F0102045519	Rear Pedal Bracket 1	1	
10	F0102073017	Rear Camera Bracket	1	
11	F0102073514	Rear Camera	1	



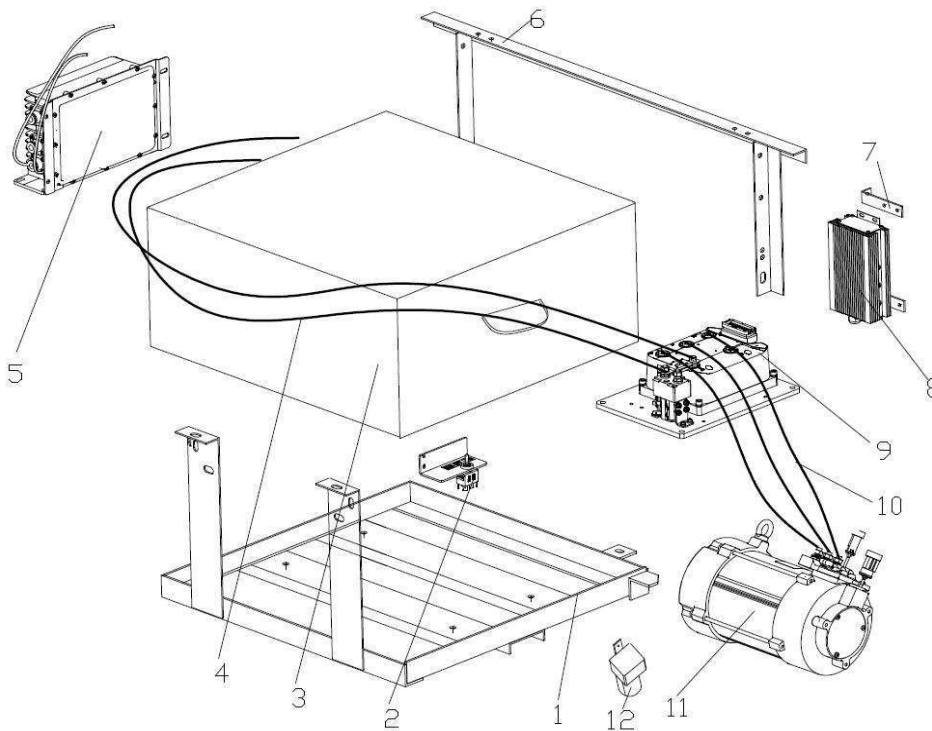
AC ELECTRONIC CONTROL

NO.	Part Number	Description	Pieces	MSRP
1	F0102045501	Battery Frame	1	
2	F0102045036	6P Battery Box	1	
3	F0309002208	Button Switch with Wiring Harness		
4	F0301001031	Maintenance-Free Battery	6	
5	F0304002196.1	Power Wire Assembly 1	2	
6	F0304002196.4	Power Wire Assembly 4	2	
7	F0301011063	On-board Charger	1	
8	L0300000093	Battery Platen	2	
9	D1901003	Battery Pull Rod/L315	2	
10	F0102047503	Seat Bucket Bracket	1	
11	F0304002196.3	Power Wire Assembly 3	2	
12	F0304002196.2	Power Wire Assembly 2	1	
13	F0102047525	DC Mounting Bracket	2	
14	F0304004037	DC-Converter	1	
15	F0302012098	AC Electronic Control/Lifted Cart/Lead Acid Battery/CAN	1	
	F0302012092	AC Electronic Control/Lowered Cart/Lead Acid Battery/CAN		
16	F0304002196.5	Power Wire Assembly 5	3	
17	F0302002067	Motor (YDQ5-4-13580)	1	
18	F0304009003	Reverse Alarm	1	



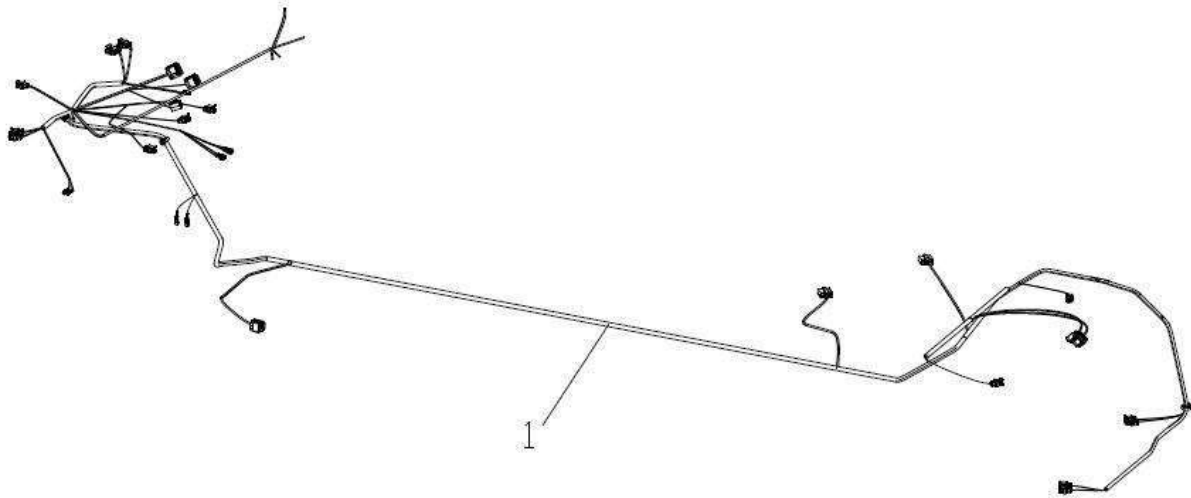
LITHIUM ELECTRONIC CONTROL

NO.	Part Number	Description	Pieces	MSRP
1	F0102045501	Battery Frame	1	
2	F0309002208	Button Switch With Wiring Harness	1	
3	N/A	Lithium Battery	1	
4	F0304002198.1	Power Wire Assembly 1	2	
5	F0301013053	Lithium Iron Phosphate Battery Charger/48V20A	1	
6	F0102047503	Seat Bucket Bracket	1	
7	F0102047525	DC Mounting Bracket	2	
8	F0304004038	DC-Converter	1	
9	F0302012099	Lithium Electronic Control/Lifted Cart/Lithium Battery/CAN	1	
	F0302012097	Lithium Electronic Control/Lowered Cart/Lithium Battery/CAN		
10	F0304002198.2	Power Wire Assembly 5	3	
11	F0302002067	Motor (YDQ5-4-13580)	1	
12	F0304009003	Reverse Alarm	1	



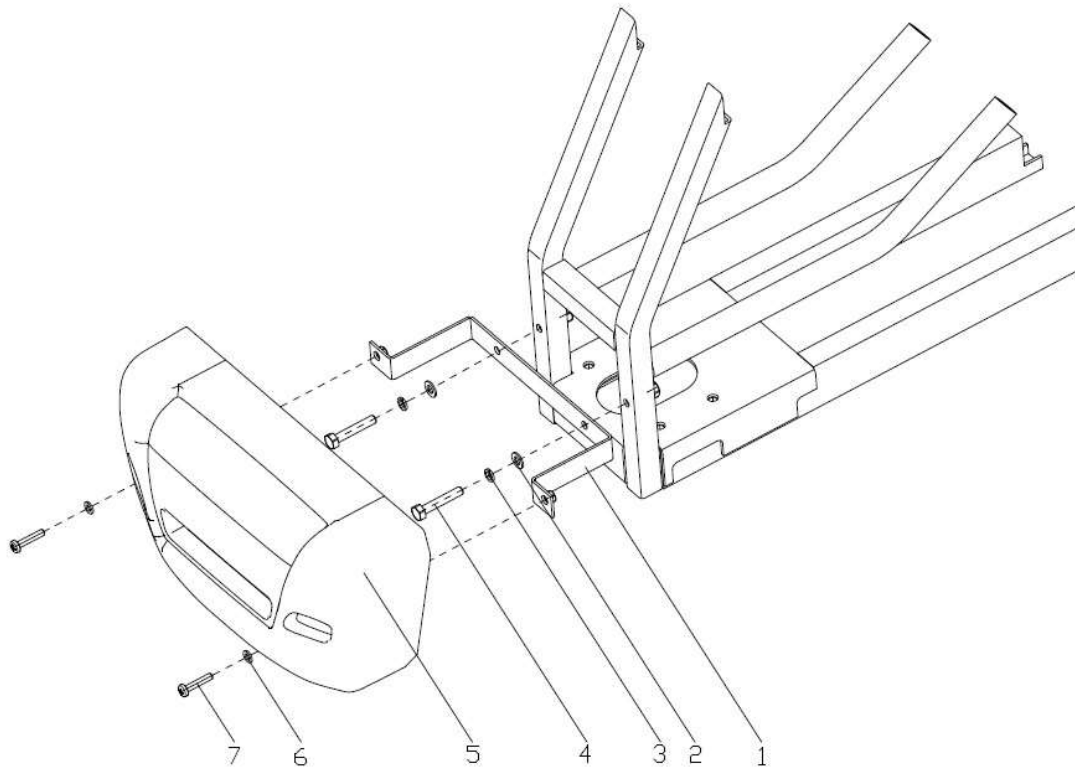
WIRING

NO.	Part Number	Description	Pieces	MSRP
1	F0304001434	Lead Acid Battery Harness (Lead Acid Battery; 2 Seats, 2+2 Seats)	1	
	F0304001433	Lead Acid Battery Harness (Lead Acid Battery; 4 Seats, 4+2 Seats)		
	F0304001440	Lithium Battery Harness (Lithium Battery; 2 Seats, 2+2 Seats)		
	F0304001439	Lithium Battery Harness (Lithium Battery; 4 Seats, 4+2 Seats)		



LOWERED CART FRONT BUMPER

NO.	Part Number	Description	Pieces	MSRP
1	\	Front Bumper Mounting Bracket	2	
2	Y0301020008	Large Flat Washer 8	2	
3	Y0301021005	Spring Washer 8	2	
4	Y0301010025	Hexagon Bolt M8×45	2	
5	F0102063004	Front Bumper Bracket	1	
6	Y0301020006	Large Flat Washer 6	2	
7	Y0301014024	Hexagon Bolt M6×20	2	



LIFTED CART FRONT BUMPER & BRUSH GUARD

NO.	Part Number	Description	Pieces	MSRP
1	\	Front Bumper Mounting Bracket	2	
2	Y0301020008	Large Flat Washer 8	6	
3	Y0301021005	Spring Washer 8	6	
4	F2101018004	Hexagon Bolt M8×45	4	
5	F0102063004	Front Bumper	1	
6	Y0301020006	Large Flat Washer 6	2	
7	Y0301014024	Hexagon Bolt M6×20	2	
8	F0102063024	Brush Guard	1	
9	Y0301010022	Hexagon Bolt M8×30	2	

